

DESCRIPTION

The GLF1200 / GLF1201 is an advanced technology fully integrated I_QSmart™ load switch device with True Reverse Current Blocking (TRCB) technology and the slew rate control of the output voltage.

The GLF1200 / GLF1201 offers industry leading True Reverse Current Blocking (TRCB) performance, featuring an ultra-low threshold voltage. It minimizes reverse current flow in the event that the V_{OUT} pin voltage exceeds the V_{IN} voltage.

An integrated slew rate control can also enhance system reliability by mitigating bus voltage swings during switching events. Where uncontrolled switches can generate high inrush currents that result in voltage droop and/or bus reset events, the GLF slew rate control specifically limits inrush currents during turn-on to minimize voltage droop.

The GLF1200 / GLF1201 load switch device supports an industry leading wide input voltage range and helps to improve operating life and system robustness. Furthermore, one device can be used in multiple voltage rail applications which helps to simplify inventory management and reduces operating cost.

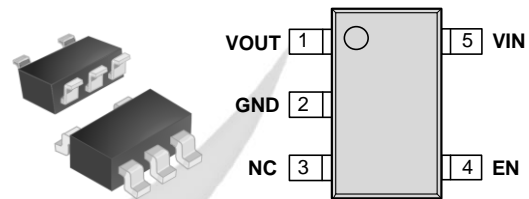
FEATURES

- True Reverse Current Blocking
- Ultra-Low I_Q: 0.47 μA Typ @ 5.5 V_{IN}
- Ultra-Low I_{SD}: 26 nA Typ @ 5.5 V_{IN}
- Low R_{ON}: 54 mΩ Typ @ 5.5 V_{IN}
- I_{OUT} Max: 2 A
- Wide Input Range: 1.5 V to 5.5 V
6 V_{abs} max
- Controlled Rise Time: 600 us at 3.3 V_{IN}
- Internal EN Pull-Down Resistor on
- Integrated Output Discharge Switch:
GLF1201
- HBM: 4 kV, CDM: 2 kV

APPLICATIONS

- Low Power Subsystem
- Telecommunication Module
- Mobile Devices

PACKAGE

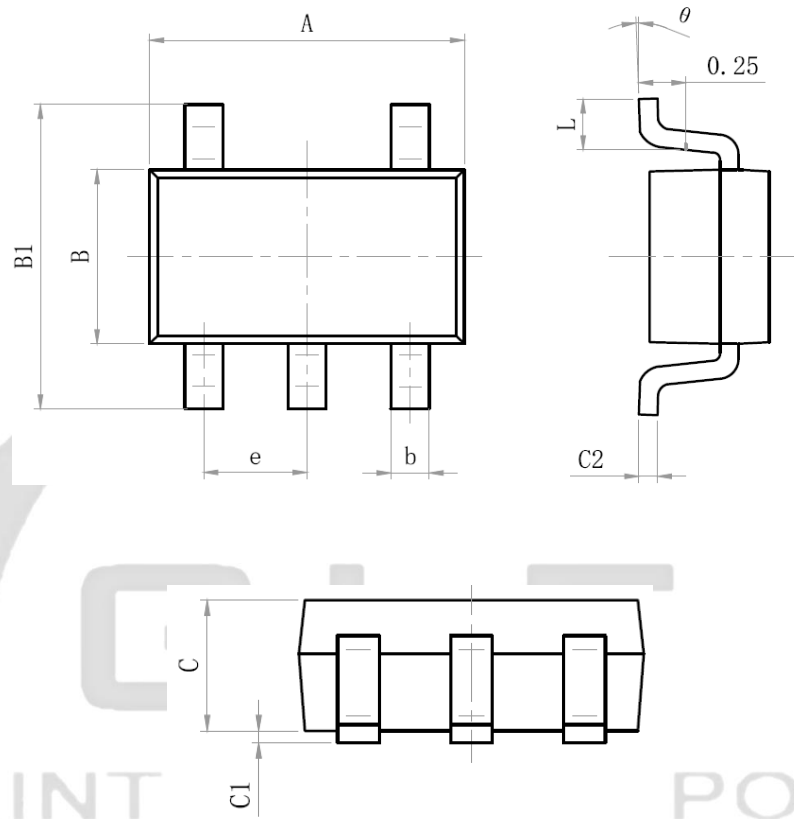


SOT23-5L

ALTERNATE DEVICE OPTIONS

Part Number	Top Mark	R _{ON} (Typ) at 5.5 V _{IN}	TRCB	Output Discharge	EN Activity
GLF1200-T1G7	DM	54 mΩ	Yes	NA	High
GLF1201-T1G7	DN	54 mΩ		85 Ω	High

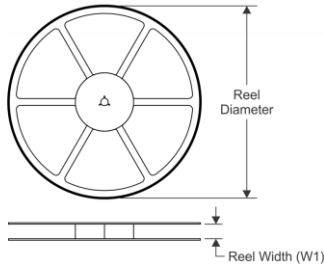
PACKAGE OUTLINE



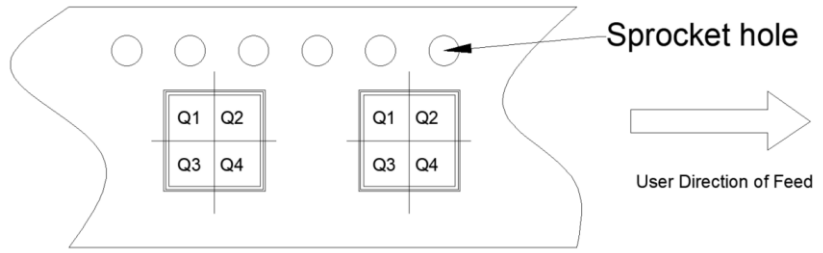
Size Mark	Min (mm)	Max (mm)	Size Mark	Min (mm)	Max (mm)
A	2.82	3.02	C	1.05	1.15
e	0.95 (BSC)		C1	0.03	0.15
b	0.28	0.45	C2	0.12	0.23
B	1.50	1.70	L	0.35	0.55
B1	2.60	3.00	θ	0°	8°

TAPE AND REEL INFORMATION

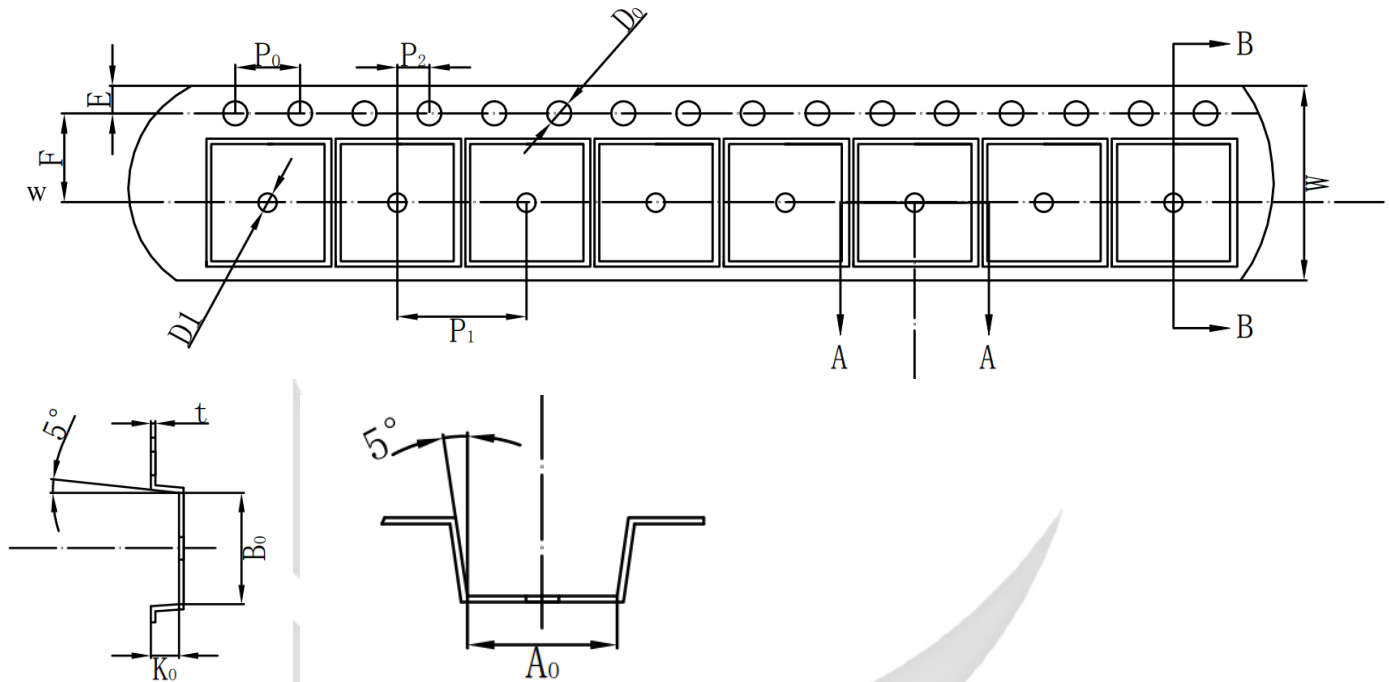
REEL DIMENSIONS



QUADRANT ASSIGNMENTS PIN 1 ORIENTATION TAPE



TAPE DIMENSIONS



Device	Package	Pins	SPQ	Reel Diameter (mm)	Reel Width W1	A0	B0	K0	P1	W	Pin1
GLF1200-T1G7	SOT23-5	5	3000	178	9	3.25	3.30	1.38	4	8	Q3
GLF1201-T1G7	SOT23-5	5	3000	178	9	3.25	3.30	1.38	4	8	Q3

Remark:

- A0: Dimension designed to accommodate the component width
- B0: Dimension designed to accommodate the component length
- C0: Dimension designed to accommodate the component thickness
- W: Overall width of the carrier tape
- P1: Pitch between successive cavity centers