

DESCRIPTION

The GLF1200H / GLF1201H is an advanced technology fully integrated I_QSmart™ load switch device with True Reverse Current Blocking (TRCB) technology and the slew rate control of the output voltage.

The GLF1200H / GLF1201H offers industry leading True Reverse Current Blocking (TRCB) performance, featuring an ultra-low threshold voltage. It minimizes reverse current flow in the event that the VOUT pin voltage exceeds the VIN voltage.

An integrated slew rate control can also enhance system reliability by mitigating bus voltage swings during switching events. Where uncontrolled switches can generate high inrush currents that result in voltage droop and/or bus reset events, the GLF slew rate control specifically limits inrush currents during turn-on to minimize voltage droop.

The GLF1200H / GLF1201H load switch device supports an industry leading wide input voltage range and helps to improve operating life and system robustness. Furthermore, one device can be used in multiple voltage rail applications which helps to simplify inventory management and reduces operating cost.

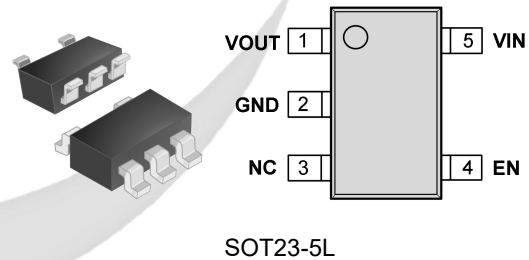
FEATURES

- True Reverse Current Blocking
- Ultra-Low I_Q: 0.47 μA Typ at 5.5 V_{IN}
- Ultra-Low I_{SD}: 26 nA Typ at 5.5 V_{IN}
- Low R_{ON} : 54 mΩ Typ at 5.5 V_{IN}
- I_{OUT} Max: 2 A
- Wide Input Range: 1.5 V to 5.5 V
6 V abs max
- Controlled Rise Time: 600 μs at 3.3V_{IN}
- Internal EN Pull-Down Resistor on
- Integrated Output Discharge Switch:
GLF1201H
- Wide Operating Temperature Range:
-40 °C ~ 105 °C
- HBM: 4 kV, CDM: 2 kV

APPLICATIONS

- Smart IoT Devices
- Portable Industrial Devices
- Low Power Subsystems

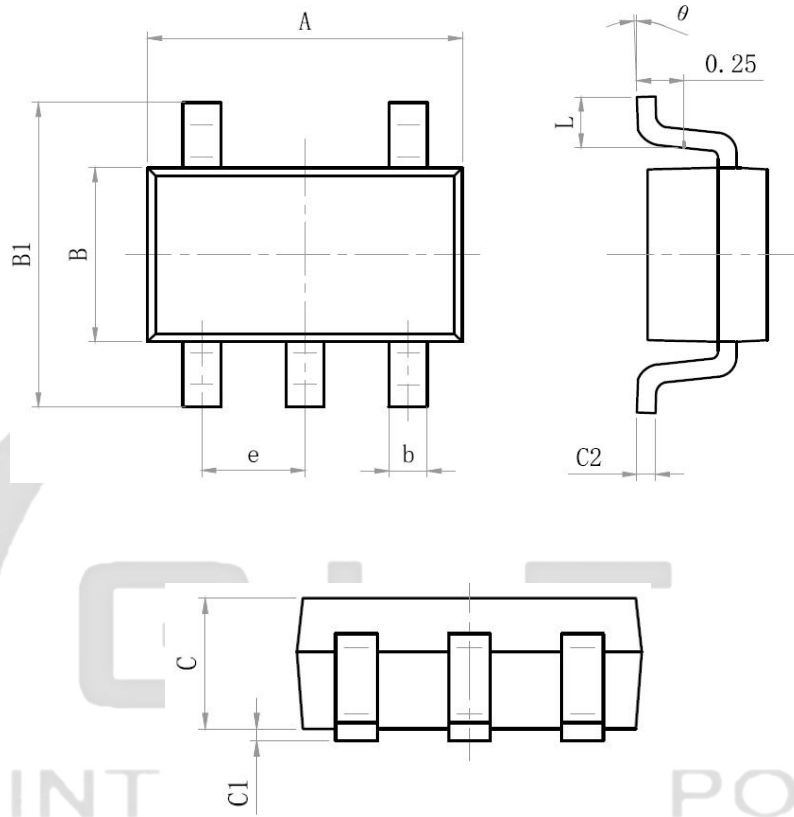
PACKAGE



ALTERNATE DEVICE OPTIONS

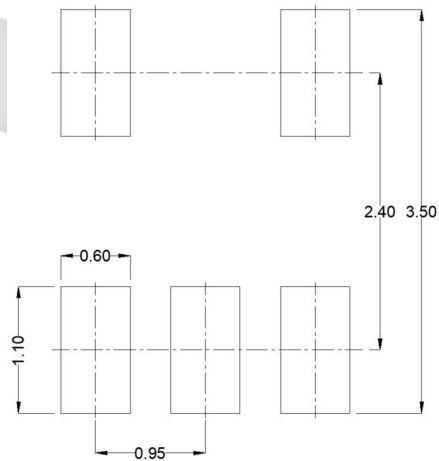
Part Number	Top Mark	R _{ON} (Typ) at 5.5 V _{IN}	TRCB	Output Discharge	EN Activity
GLF1200H-T1G7	DMH	54 mΩ	Yes	NA	High
GLF1201H-T1G7	DNH	54 mΩ		85 Ω	High

PACKAGE OUTLINE



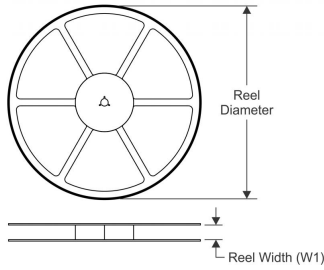
Size Mark	Min (mm)	Max (mm)	Size Mark	Min (mm)	Max (mm)
A	2.82	3.02	C	1.05	1.15
e	0.95 (BSC)		C1	0.03	0.15
b	0.28	0.45	C2	0.12	0.23
B	1.50	1.70	L	0.35	0.55
B1	2.60	3.00	theta	0°	8°

Recommended Footprint

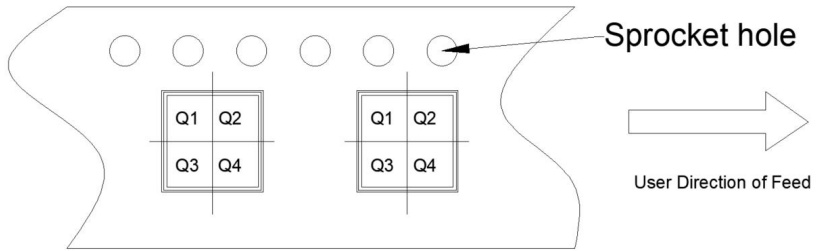


TAPE AND REEL INFORMATION

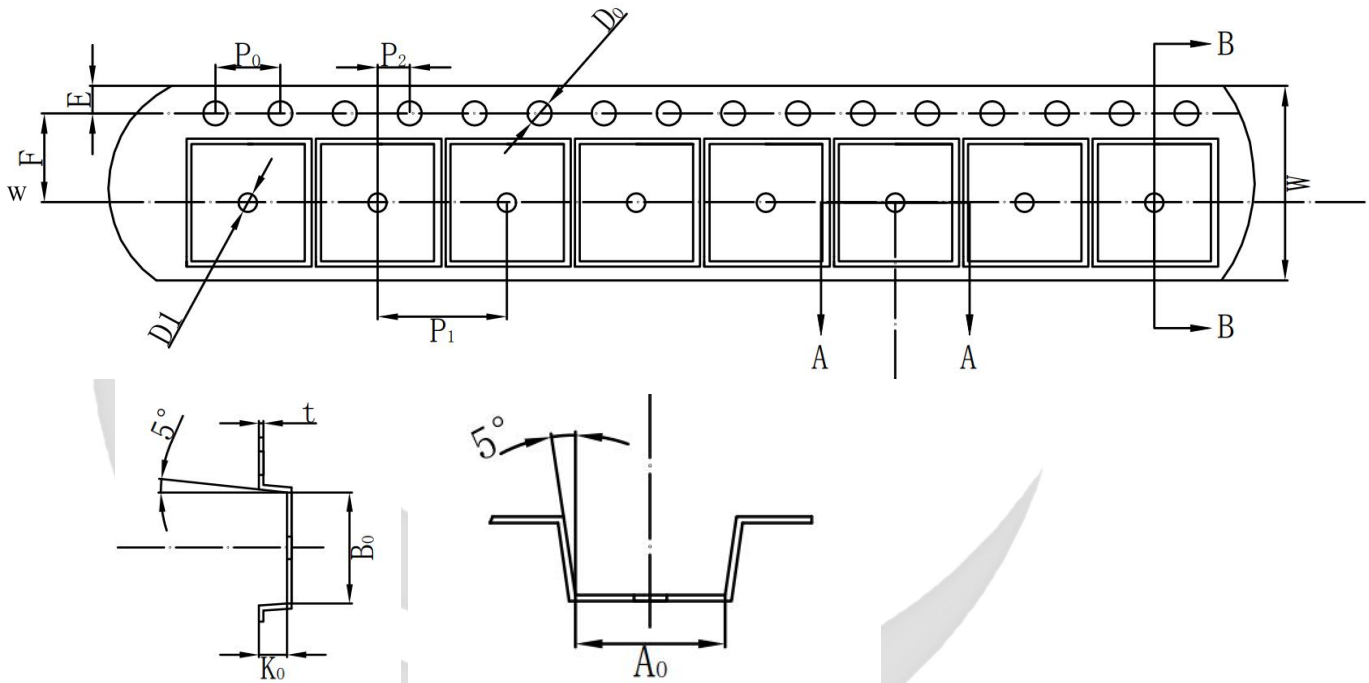
REEL DIMENSIONS



QUADRANT ASSIGNMENTS PIN 1 ORIENTATION TAPE



TAPE DIMENSIONS



Device	Package	Pins	SPQ	Reel Diameter (mm)	Reel Width W1	A0	B0	K0	P1	W	Pin1
GLF1200H-T1G7	SOT23-5	5	3000	178	9	3.25	3.30	1.38	4	8	Q3
GLF1201H-T1G7	SOT23-5	5	3000	178	9	3.25	3.30	1.38	4	8	Q3

Remark:

A0: Dimension designed to accommodate the component width

B0: Dimension designed to accommodate the component length

C0: Dimension designed to accommodate the component thickness

W: Overall width of the carrier tape

P1: Pitch between successive cavity centers