

# GLF9900

## 240 nA I<sub>Q</sub>, Low-Dropout Linear Regulator

Preliminary Specification

### DESCRIPTION

The GLF9900 are an ultra-low power and low dropout regulator designed for battery powered smart devices.

The GLF9900 provide up to 300 mA output current with typical quiescent current of only 240 nA. The GLF9900 features an over current protection by limiting output current. When the output of the device is shorted, the output current is limited to preset level and the thermal shutdown prevents the device from the thermal runaway.

The GLF9900 is available in SOT23-5L, SOT23-3L packages.

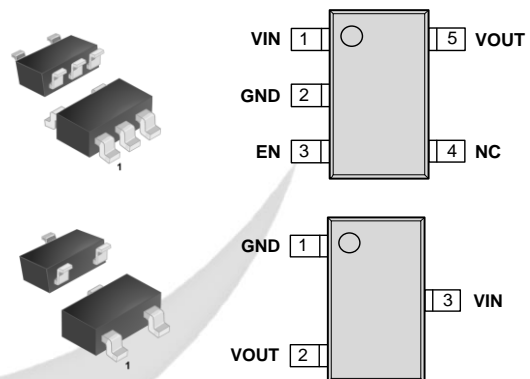
### FEATURES

- Output Current:
  - GLF9900-33T1 up to 300 mA
  - GLF9900-33T3 up to 200 mA
- Ultra-Low Quiescent Current, I<sub>Q</sub>:
  - 240 nA Typ at no load
- Output Voltage fixed 3.3 V
- Output Voltage Accuracy: ± 2.5 %
- Low Dropout:
  - 144 mV Typ at 100 mA
  - 334 mV Typ at 200 mA
  - 600 mV Typ at 300 mA
- Over Current Protection and Current Foldback
- Short Circuit Protection
- Thermal Shutdown Protection
- Compatible with Ceramic Capacitor

### APPLICATIONS

- Battery Powered Smart Devices
- Medical Devices
- Mobiles / Wearables / IoT Devices
- Computing / Communication Devices

### PACKAGE



SOT23-5L (Suffix: T1)  
SOT23-3L (Suffix: T3)

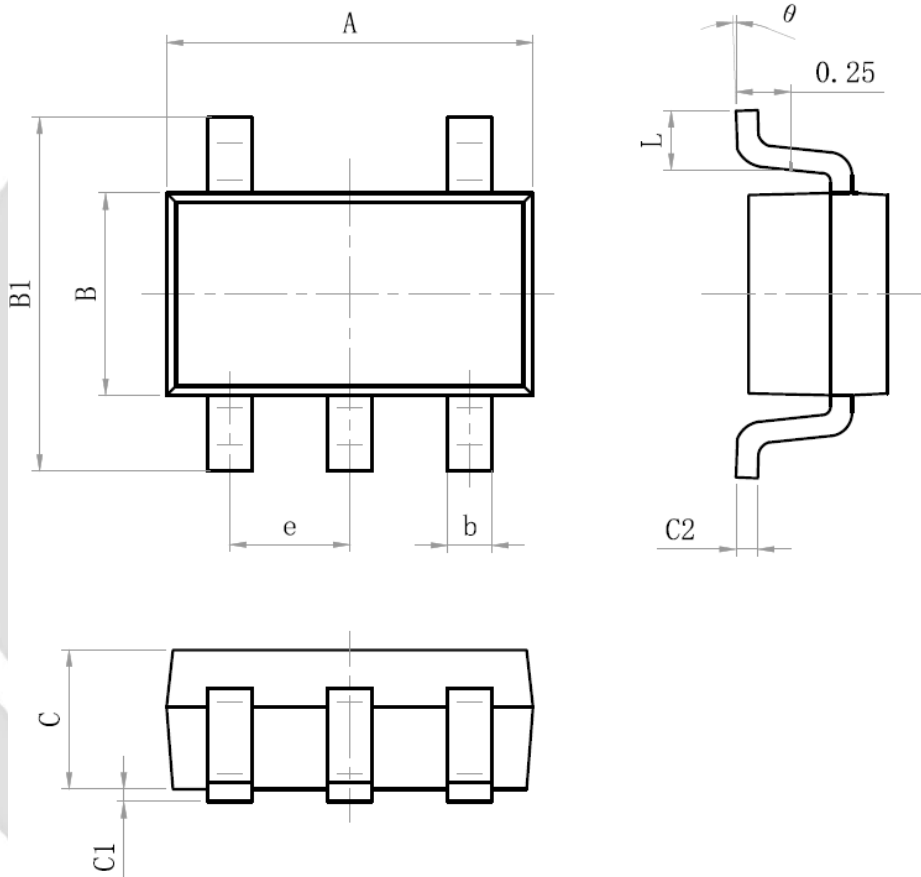
### DEVICE ORDERING INFORMATION

Part Number	Top Mark	Output Voltage	Output Current	EN	Package
GLF9900-33T1G7	HK	3.3 V	300 mA	High	SOT23-5L
GLF9900-33T3G7	HJ	3.3 V	200 mA	-	SOT23-3L

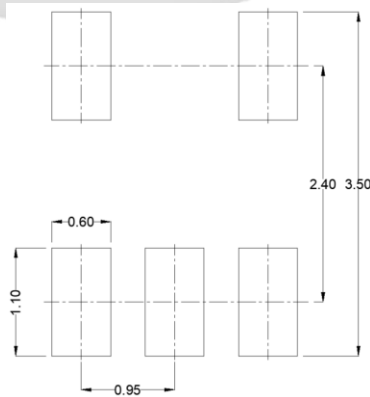
**PACKAGE OUTLINE**

**SOT23-5L**

Size Mark	Min (mm)	Max (mm)	Size Mark	Min (mm)	Max (mm)
A	2.82	3.02	C	1.05	1.15
e	0.95 (BSC)		C1	0.03	0.15
b	0.28	0.45	C2	0.12	0.23
B	1.50	1.70	L	0.35	0.55
B1	2.60	3.00	$\theta$	0°	8°

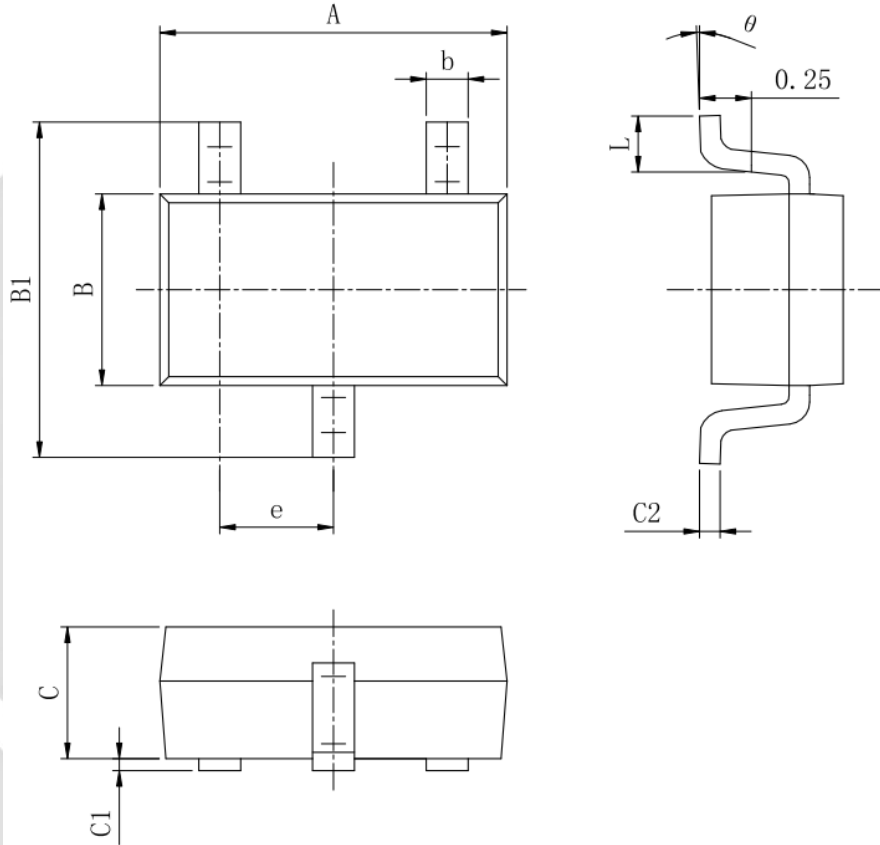


**Recommended Footprint**



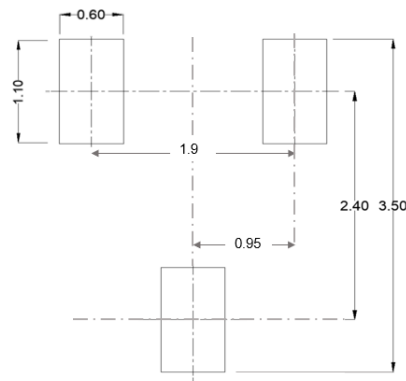
**SOT23-3L**

Size Mark	Min (mm)	Max (mm)	Size Mark	Min (mm)	Max (mm)
A	2.82	3.02	C	1.05	1.15
e	0.95 (BSC)		C1	0.03	0.15
b	0.28	0.45	C2	0.12	0.23
B	1.50	1.70	L	0.35	0.55
B1	2.60	3.00	$\theta$	0°	8°



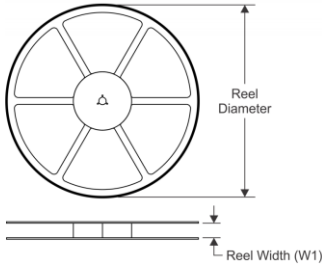
VER

**Recommended Footprint**

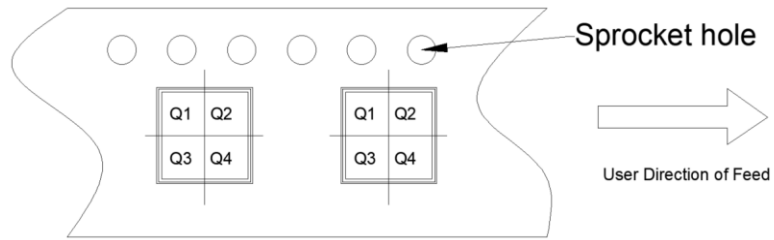


**TAPE AND REEL INFORMATION**

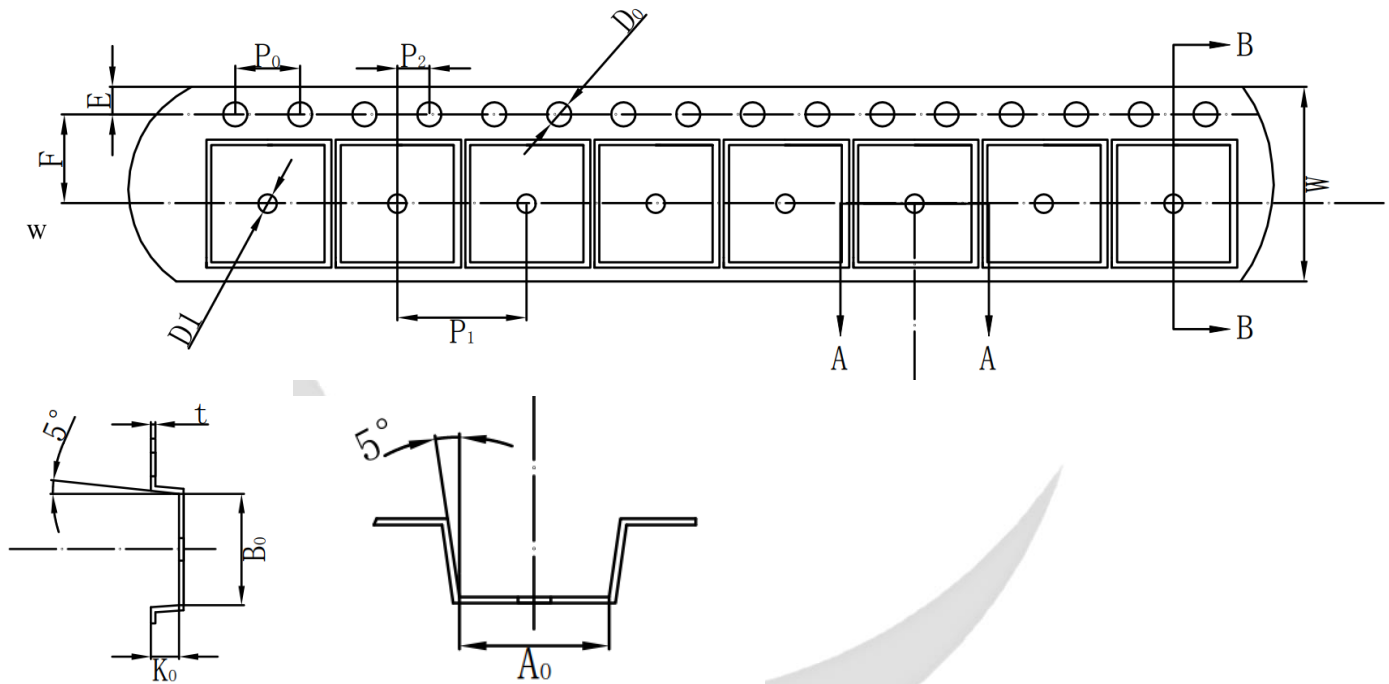
**REEL DIMENSIONS**



**QUADRANT ASSIGNMENTS PIN 1 ORIENTATION TAPE**



**TAPE DIMENSIONS**



Device	Package	Pins	SPQ	Reel Diameter (mm)	Reel Width W1	A0	B0	K0	P1	W	Pin1
GLF9900-33T1G7	SOT23-5L	5	3000	178	9	3.25	3.30	1.38	4	8	Q3
GLF9900-33T3G7	SOT23-3L	3	3000	178	9	3.25	3.30	1.38	4	8	Q3

**Remark:**

- A0: Dimension designed to accommodate the component width
- B0: Dimension designed to accommodate the component length
- C0: Dimension designed to accommodate the component thickness
- W: Overall width of the carrier tape
- P1: Pitch between successive cavity centers